

## Product specification sheet

### Floor box with IP 67

Type: STAKOHOME-7705-A1 1x CEE 5/16A 400V  
 Type: STAKOHOME-7705-A2 1x CEE 5/32A 400V  
**Other types (different equipment) upon request.**

#### Description:

The body is made of solid PVC. The surface of the lid is aluminium. It is suitable for outdoor use! Side inlet 2x M25.

Installation instructions: Use cable glands with degree of protection IP67. Use only flexible cables to ensure the type of protection. Use a spirit level to push the underground socket into a mortar bed, etc. and level the screed or similar material with the ground. The rest is then filled with mortar. The box must be regularly cleaned of dirt, otherwise the type of cover cannot be guaranteed. Installation and connection must be carried out by a specialist company / worker with the required qualified expertise. Use cable bushing / glands according to the size / cross-section of the installed cable. Secure the cable entries (eg with sealing compound) so that the supply is sealed and water / moisture does not get into the socket.

**Maintenance: the socket must be checked regularly and free of dirt inside. The socket cover must be tightened firmly / well with a wrench to ensure that the socket is covered. Make sure that the lid is screwed on correctly and evenly**



**Scope of application:** Outdoor and indoor areas, water-proof if closed, ingress protection IP67..

**Accessories:** Type: STAKOHOME-7706 Aluminum adjusting ring, eg for terraces / raised floors  
 Accessories must be purchased (if necessary)

#### Technical data:

Material: PVC-U units, the lid made from aluminium.  
 PVC-U: Special characteristics: No elasticates, good mechanical solidity, resistance to acids and alkali.  
 Typical applications: Terraces, gardens, house vicinity, commercial areas, water treatment plants, swimming pools.  
 Dimensions: 170x120mm  
 Weight: approx. 2.500 g  
 Load-carrying capacity: 200kg  
 Equipment : 400V 5/16A nebo 5/32A

Note: Printing errors and alterations reserved.

**stakohome**<sup>®</sup>

Stakohome Network s.r.o.  
 IČ: 27213064, DIČ: CZ27213064  
 tel.: +420 226 517 522  
 fax: +420 226 517 379  
[stakohome@stakohome.cz](mailto:stakohome@stakohome.cz)  
[www.stakohome.cz](http://www.stakohome.cz)  
[www.intelligentni-byt.cz](http://www.intelligentni-byt.cz)

Fakturační adresa: Podnikatelská 565, 190 11 Praha 9, Běchovice  
 Showroom a doručovací adresa: Aloisovská 934/8, 198 00 Praha 9, Hloubětín

## Technical sheet

### Floor box IP67

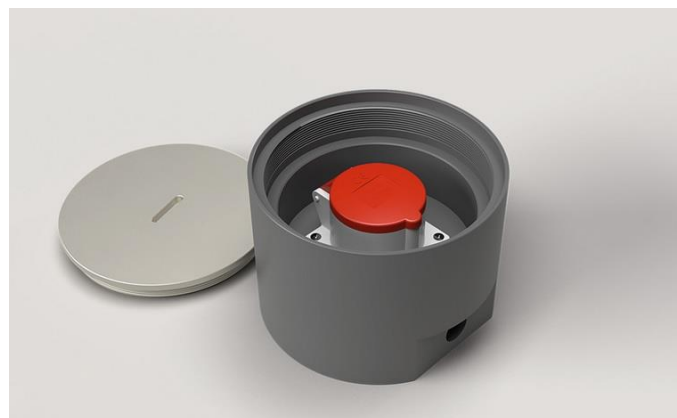
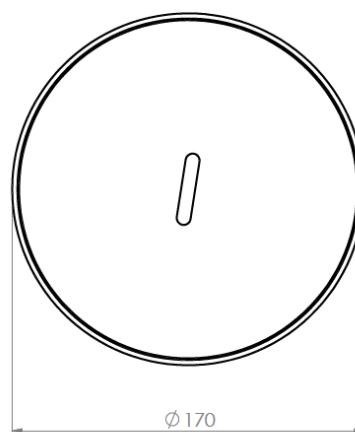
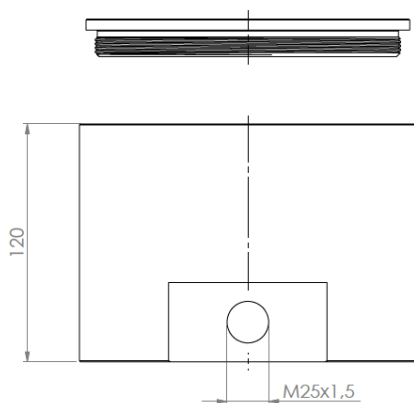
**Designation:**

Type: STAKOHOME-7705-A1

1x CEE 5/16A 400V

Type: STAKOHOME-7705-A2

1x CEE 5/32A 400V

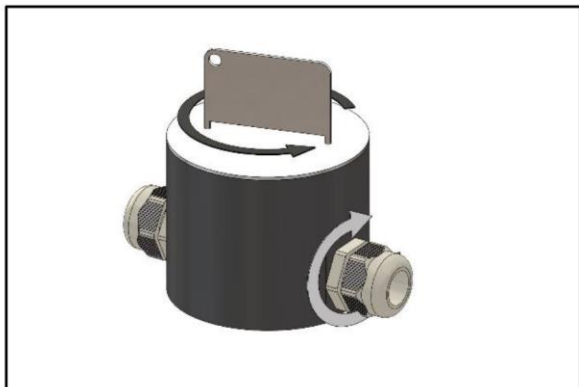


Note: Printing errors and alterations reserved.

**stakohome**<sup>®</sup>**Stakohome Network s.r.o.**  
IČ: 27213064, DIČ: CZ27213064  
tel.: +420 226 517 522  
fax: +420 226 517 379  
stakohome@stakohome.cz  
www.stakohome.cz  
www.inteligentni-byt.czFakturační adresa: Podnikatelská 565, 190 11 Praha 9, Běchovice  
Showroom a doručovací adresa: Aloisovská 934/8, 198 00 Praha 9, Hloubětín

## Instalation

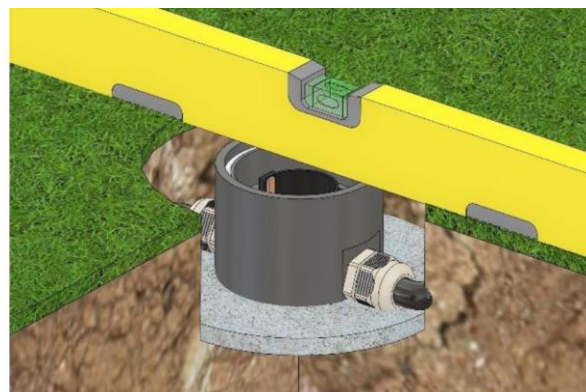
(for STAKOHOME-7701-E, STAKOHOME-7702-A, STAKOHOME-7704-A, STAKOHOME-7705-A)  
 Ground instalation



First, unscrew the lid and possibly the bushings (if they are already prepared in the base box). Furthermore, the socket holder, including the sockets themselves, is removed from the box. Note: the 230V socket is always delivered according to the standards on the relevant market. For the Czech Republic and Slovakia with a safety pin.



A hole is prepared in the required place in the ground (the hole should be about 80mm larger than the diameter of the box itself, eg for type STAKOHOME-7702-A it is a hole approx. 250mm, as this type has a box diameter of Ø 170mm) and the appropriate cables are fed.



Cable bushings / glands / plug with seals are screwed to the box (used according to the size / cross-section of the installed cable). Then the cable (s) are passed through the bushing in the box and the bushing is tightened to the cable. The cable entries must be secured (eg with a sealing compound) so that the supply (instead of the cable entering the bushing) is sealed and water / moisture does not get into the socket. The cable (s) are connected to the appropriate socket and the socket holder is attached back to the floor box. The floor box is then pushed into the mortar bed, etc. using a spirit level and is leveled with the ground.

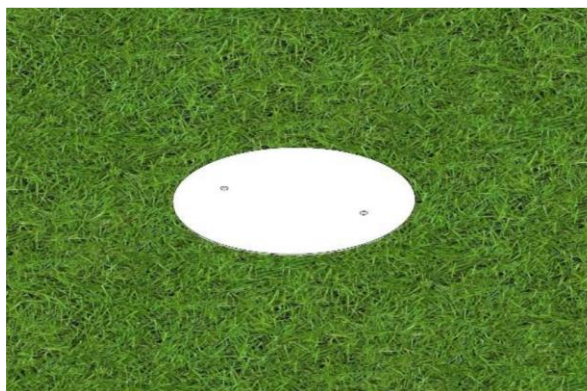
**stakohome**®

Stakohome Network s.r.o.  
 IČ: 27213064, DIČ: CZ27213064  
 tel.: +420 226 517 522  
 fax: +420 226 517 379  
[stakohome@stakohome.cz](mailto:stakohome@stakohome.cz)  
[www.stakohome.cz](http://www.stakohome.cz)  
[www.inteligentni-byt.cz](http://www.inteligentni-byt.cz)

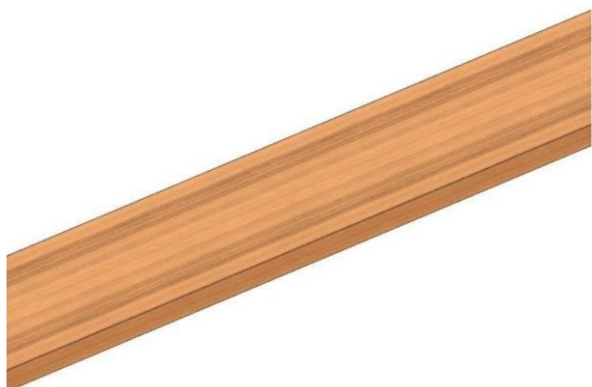
Fakturační adresa: Podnikatelská 565, 190 11 Praha 9, Běchovice  
 Showroom a doručovací adresa: Aloisovská 934/8, 198 00 Praha 9, Hloubětín



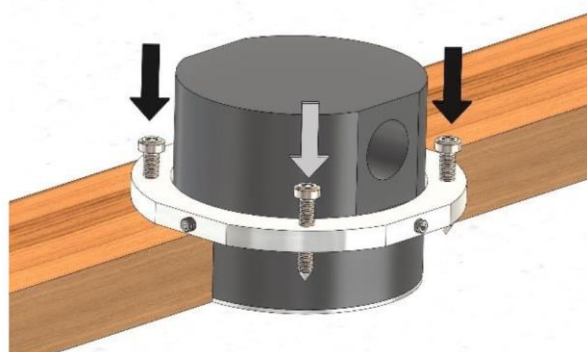
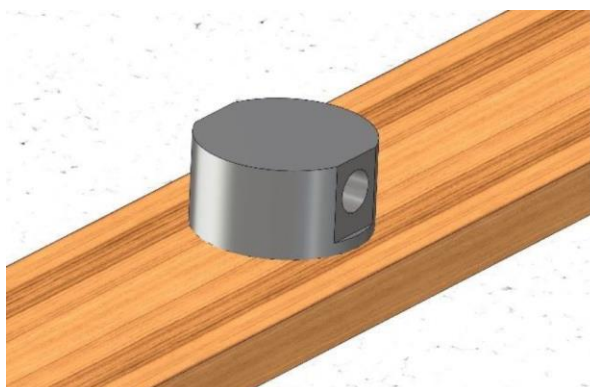
The underground socket is closed with the enclosed wrench and the space around the base box is filled with mortar and filled with soil, grass, etc. **The drawer lid must be tightened firmly / well with a wrench to ensure that the socket is covered.**



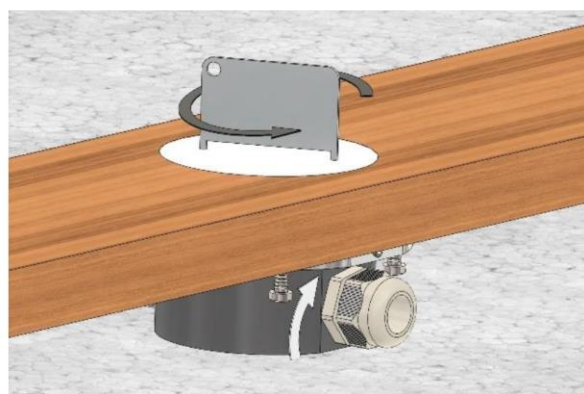
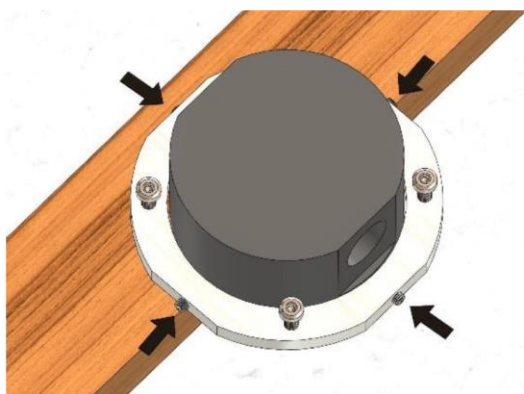
## Installation - variant for double floors



A hole is drilled in the required place on the terrace (double floor). The size of the hole depends on the type of socket, for type STAKOHOME-7702-A it is a hole approx. 170mm



The floor box is inserted into the opening and the lid is aligned with the floorboard. The Aluminium adjusting ring is screwed into the floor from the bottom (for the STAKOHOME-7702-A socket it is type STAKOHOME-7706). Screws are not included in the delivery (selected according to the floor used).

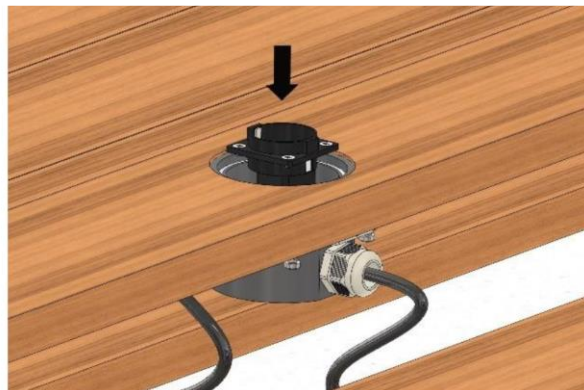


The aluminium ring needs to be screwed to the floor box with small (four) screws. Cable bushing / glands / plugs with seals are screwed to the box (used according to the size / cross-section of the installed cable). Then the socket lid opens.

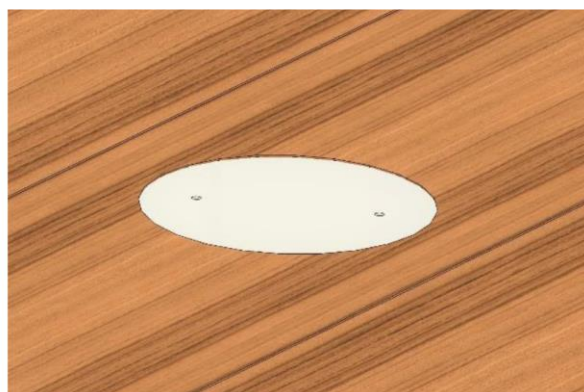
**stakohome**<sup>®</sup>

Stakohome Network s.r.o.  
IČ: 27213064, DIČ: CZ27213064  
tel.: +420 226 517 522  
fax: +420 226 517 379  
stakohome@stakohome.cz  
www.stakohome.cz  
www.intelligentni-byt.cz

Fakturační adresa: Podnikatelská 565, 190 11 Praha 9, Běchovice  
Showroom a doručovací adresa: Aloisovská 934/8, 198 00 Praha 9, Hloubětín



The socket holder, including the sockets themselves, is removed from the box and the cable (s) are passed through the bushing into the box and the bushing is tightened to the cable. The cable (s) are connected to the appropriate socket and the socket holder is attached back to the floor box. The cable entries (instead of the cable entering the bushing) must be secured (eg with a sealing compound) so that the supply is sealed and water / moisture does not get into the socket.



This installs the floor socket and closes the underground socket with the enclosed key. **The socket cover must be tightened firmly / well with a wrench to ensure that the drawer is covered**