

Product specification sheet

Floorbox

Designation:

Type:	STAKOHOME-8310-A1	1x power sockets 400V, 5/16A
Type:	STAKOHOME-8310-A2	1x power sockets 400V, 5/32A

Specification:

Industrial floor box with a lid. Suitable under various floor cleaners. The floor box has got an aluminum lid and the frame made from stainless steel, anodized. Possible to run over the floor box by passengers cars.

Easy opening and closing thanks to the integrated latch fastener.

When installed professionally into a mortar bed, it can withstand the weight of a passenger car driving over it. The power inlet is brought in from side through 2 openings of 25 mm diameters.

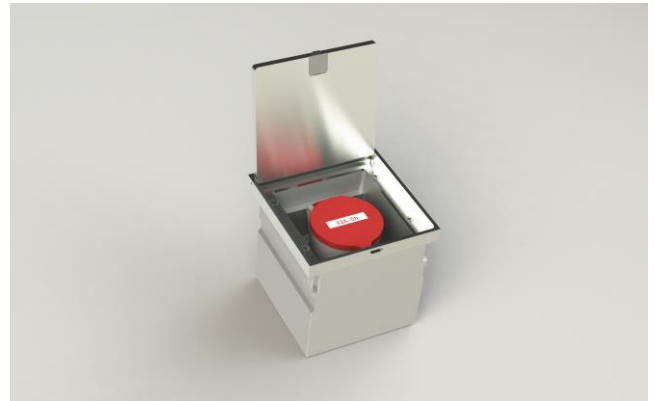
The electrical connections must be carried out by a professional company/person with necessary qualifications.

Recommended installation procedure:

Remove the lid which covers the installation site from the monolithic floor finish (polystyrene ca. 160x160 mm). Push the floor socket into the mortar bed - use a spirit level and align it with the final floor level/ covering. Slide an empty tube/cabel into the 25 mm opening. The rest shall be later filled up with mortar/ adhesive and glues the final floor covering.

Attached plastic plugs Ø25 mm can be used as blankets or as grommets.

Maintenance: The drawers must be regularly checked and cleaned.



Scope of application: houses, garage, offices, car show rooms, shops, banks etc., Suitable for cleaning with floor sweepers / cleaning machines. In an enclosed state is a type of protection IP64.

Technical data:

Material:

Possible colors:	The floor box has got an aluminum lid and the frame made from stainless steel, anodized. golden brass, etc.
Dimensions:	140 x 140 x 130mm (height)
Weight:	approx 1800 g
Load-carrying capacity:	900kg
Instrumentation:	400V 5/16A or 5/32A

Note: Print mistakes and changes are reserved



Stakohome Network s.r.o.
 IČ: 27213064, DIČ: CZ27213064
 tel.: +420 226 517 522
 fax: +420 226 517 379
stakohome@stakohome.cz
www.stakohome.cz
www.inteligentni-byt.cz

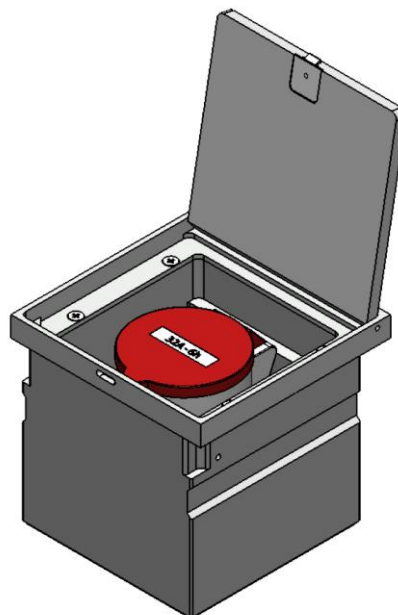
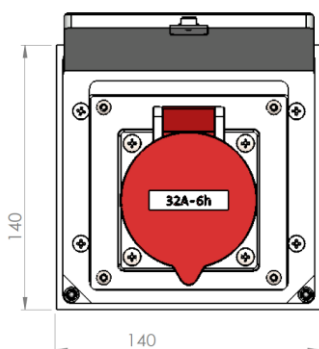
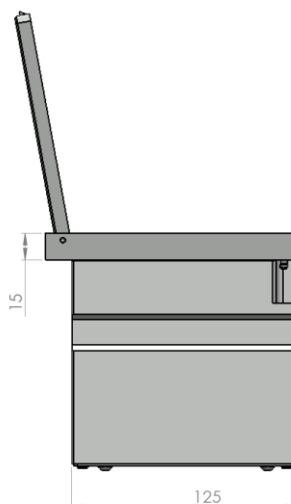
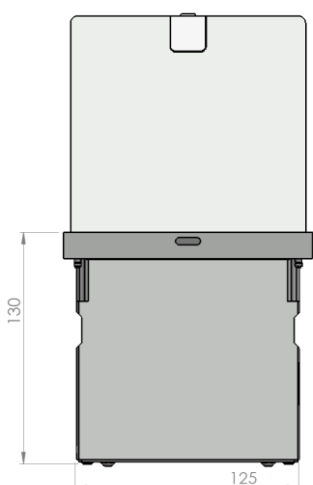
Fakturační adresa: Podnikatelská 565, 190 11 Praha 9, Běchovice
 Showroom a doručovací adresa: Aloisovská 934/8, 198 00 Praha 9, Hloubětín

Technical sheet

Floorbox

Designation:

 Type: STAKOHOME-8310-A1
 Type: STAKOHOME-8310-A2

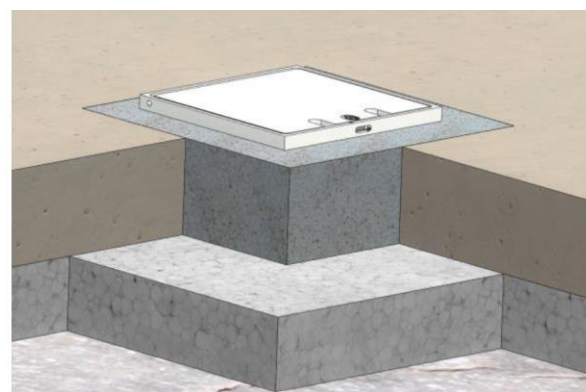
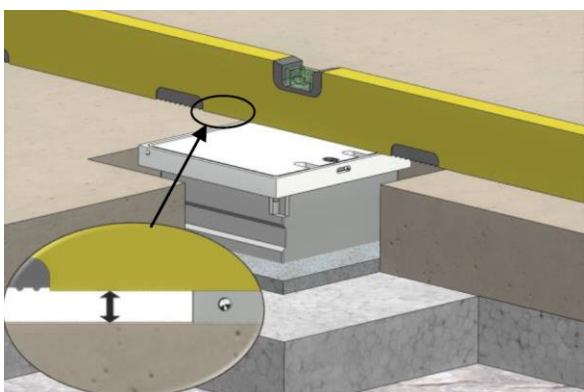
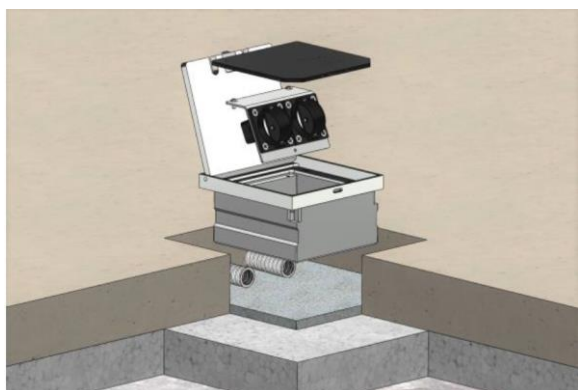
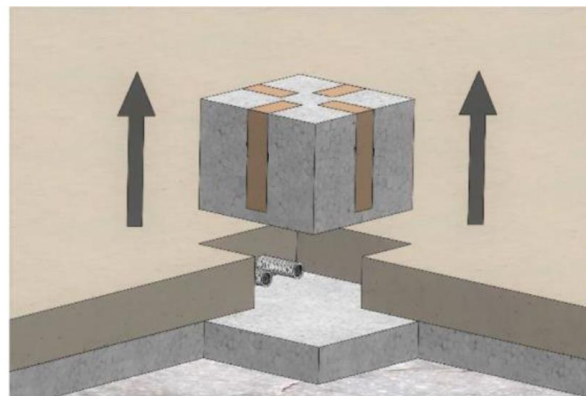
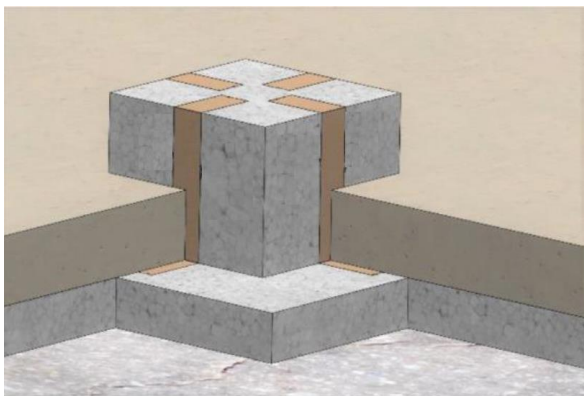
 1x power sockets 400V, 5/16A
 1x power sockets 400V, 5/32A


Note: Print mistakes and changes are reserved

stakohome®
Stakohome Network s.r.o.
 IČ: 27213064, DIČ: CZ27213064
 tel.: +420 226 517 522
 fax: +420 226 517 379
stakohome@stakohome.cz
www.stakohome.cz
www.inteligentni-byt.cz

 Fakturační adresa: Podnikatelská 565, 190 11 Praha 9, Běchovice
 Showroom a doručovací adresa: Aloisovská 934/8, 198 00 Praha 9, Hloubětín

Installation - for concrete (for type STAKOHOME-8302-A/STAKOHOME-8310-A/STAKOHOME-8314A)



stakohome®

Stakohome Network s.r.o.
IČ: 27213064, DIČ: CZ27213064
tel.: +420 226 517 522
fax: +420 226 517 379
stakohome@stakohome.cz
www.stakohome.cz
www.inteligentni-byt.cz

Fakturační adresa: Podnikatelská 565, 190 11 Praha 9, Běchovice
Showroom a doručovací adresa: Aloisovská 934/8, 198 00 Praha 9, Hloubětín

